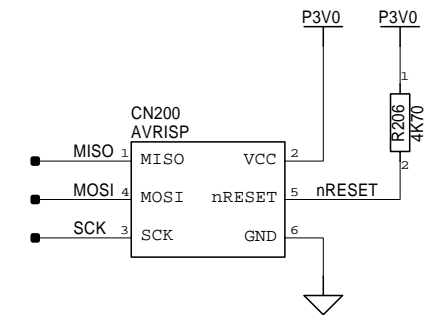
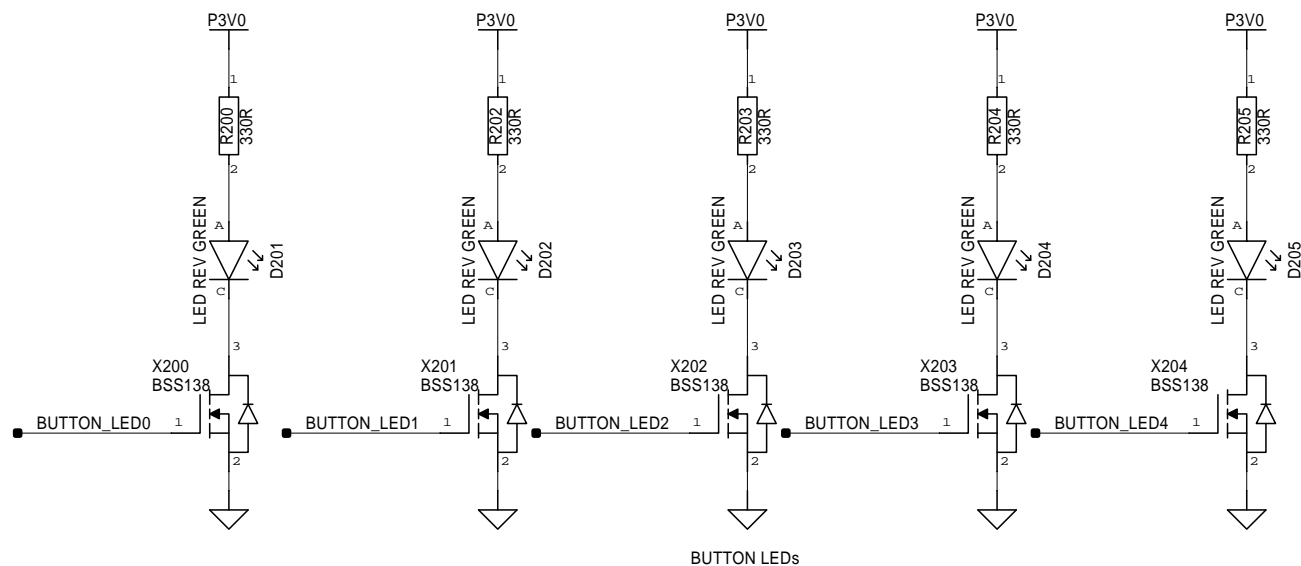
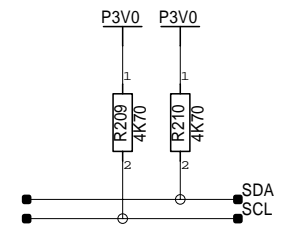
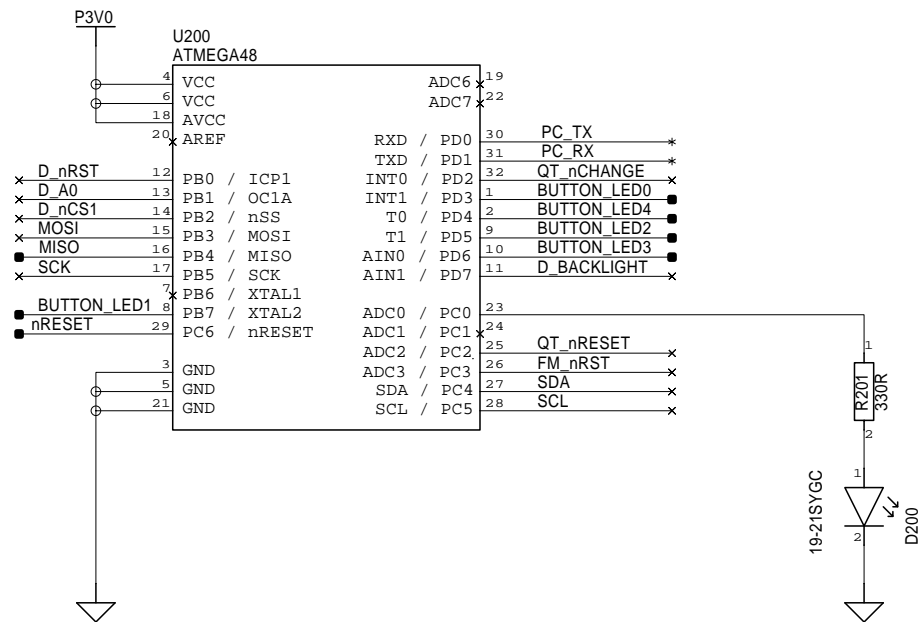
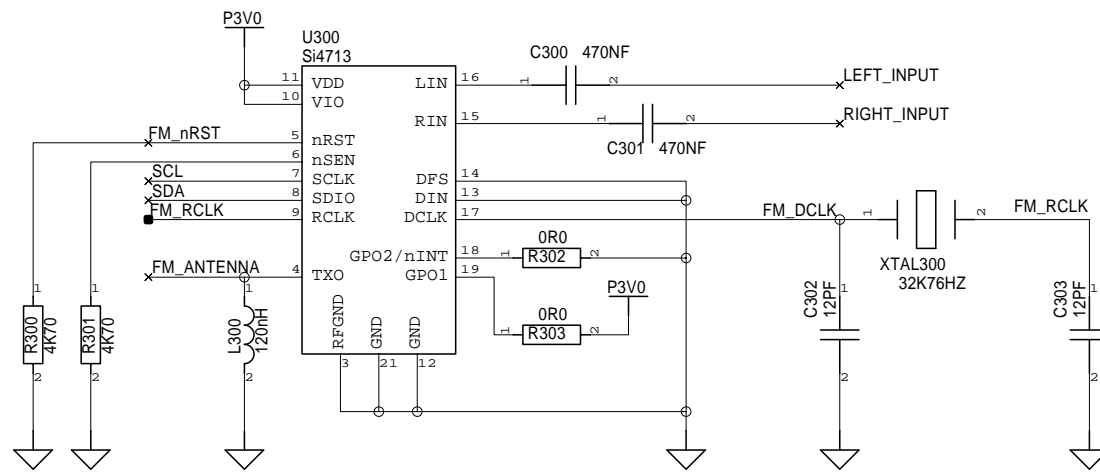


PROJECT:	FM TRANSMITTER
SHEET NAME:	TOP
DATE:14.10.2015	UNIVERSITY OF OSLO
VER:	Dept. of Physics ELAB
SHEET: 1 / 6	(c) copyright. All rights reserved.

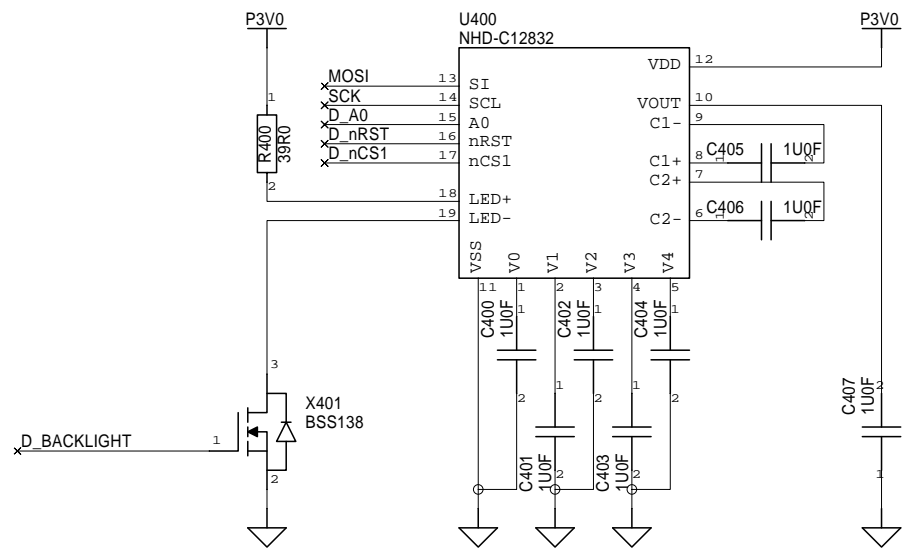


PROJECT:	FM TRANSMITTER
SHEET NAME:	MCU
DATE:14.10.2015	UNIVERSITY OF OSLO
VER:	Dept. of Physics ELAB
SHEET: 2 / 6	(c) copyright. All rights reserved.

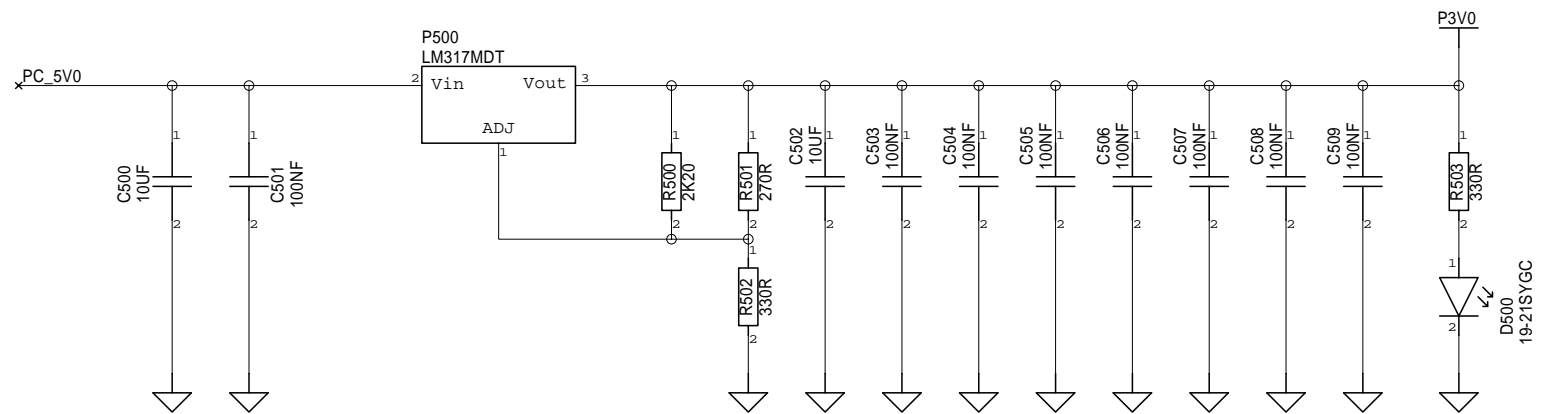


FM_ANTENNA

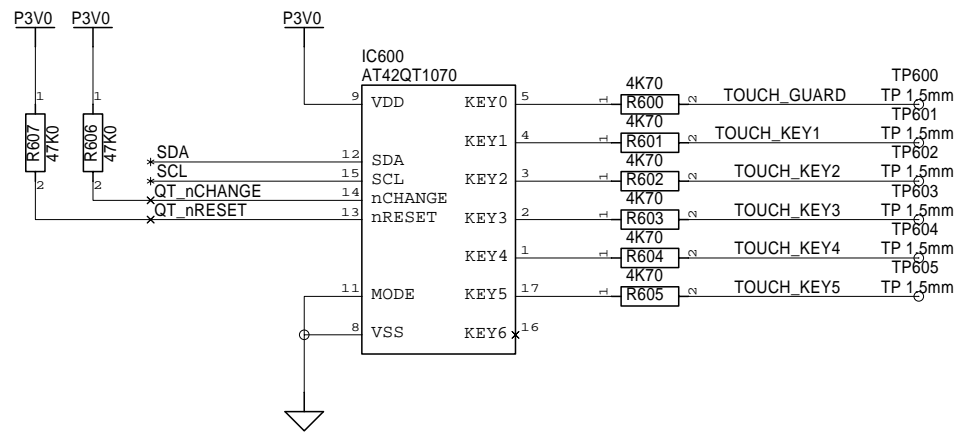
PROJECT:	FM TRANSMITTER
SHEET NAME:	FM-TRANSMITTER
DATE:14.10.2015	UNIVERSITY OF OSLO
VER:	Dept. of Physics ELAB
SHEET: 3 / 6	(c) copyright. All rights reserved.



PROJECT:	FM TRANSMITTER
SHEET NAME:	DISPLAY
DATE:14.10.2015	UNIVERSITY OF OSLO
VER:	Dept. of Physics ELAB
SHEET: 4 / 6	(c) copyright. All rights reserved.



PROJECT:	FM TRANSMITTER
SHEET NAME:	POWER
DATE:14.10.2015	UNIVERSITY OF OSLO
VER:	Dept. of Physics ELAB
SHEET: 5 / 6	(c) copyright. All rights reserved.



PROJECT:	FM TRANSMITTER
SHEET NAME:	QTOUCH
DATE:14.10.2015	UNIVERSITY OF OSLO
VER:	Dept. of Physics ELAB
SHEET: 6 / 6	(c) copyright. All rights reserved.