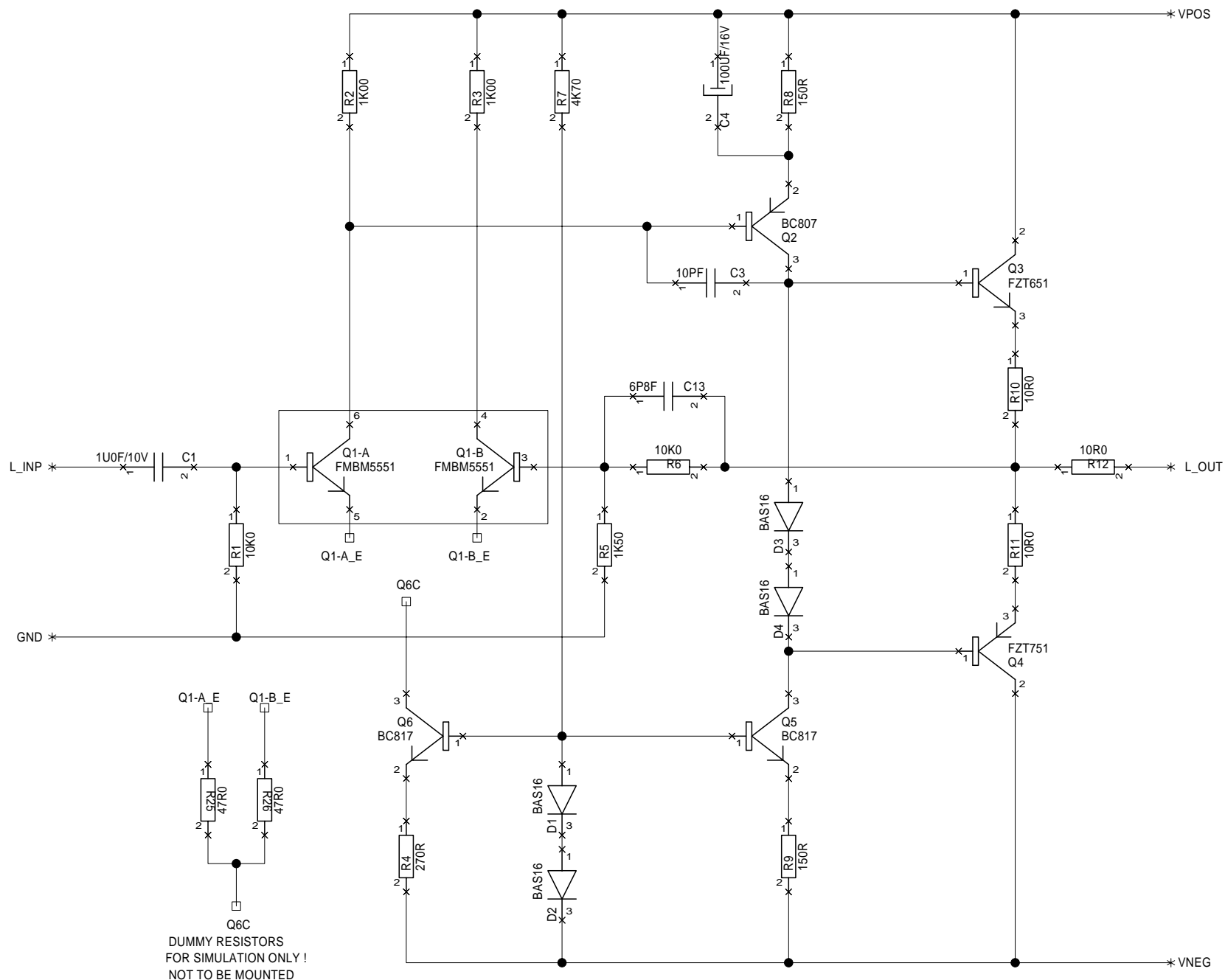


PROJECT:	FYS4260-2015
DRAWING:	HeadsetAmp
DATE: 2015_02_25	UNIVERSITY OF OSLO Dept. of Physics ELAB
VER: 1.0	
SHEET: 1:4	
S. Lyng Nielsen	

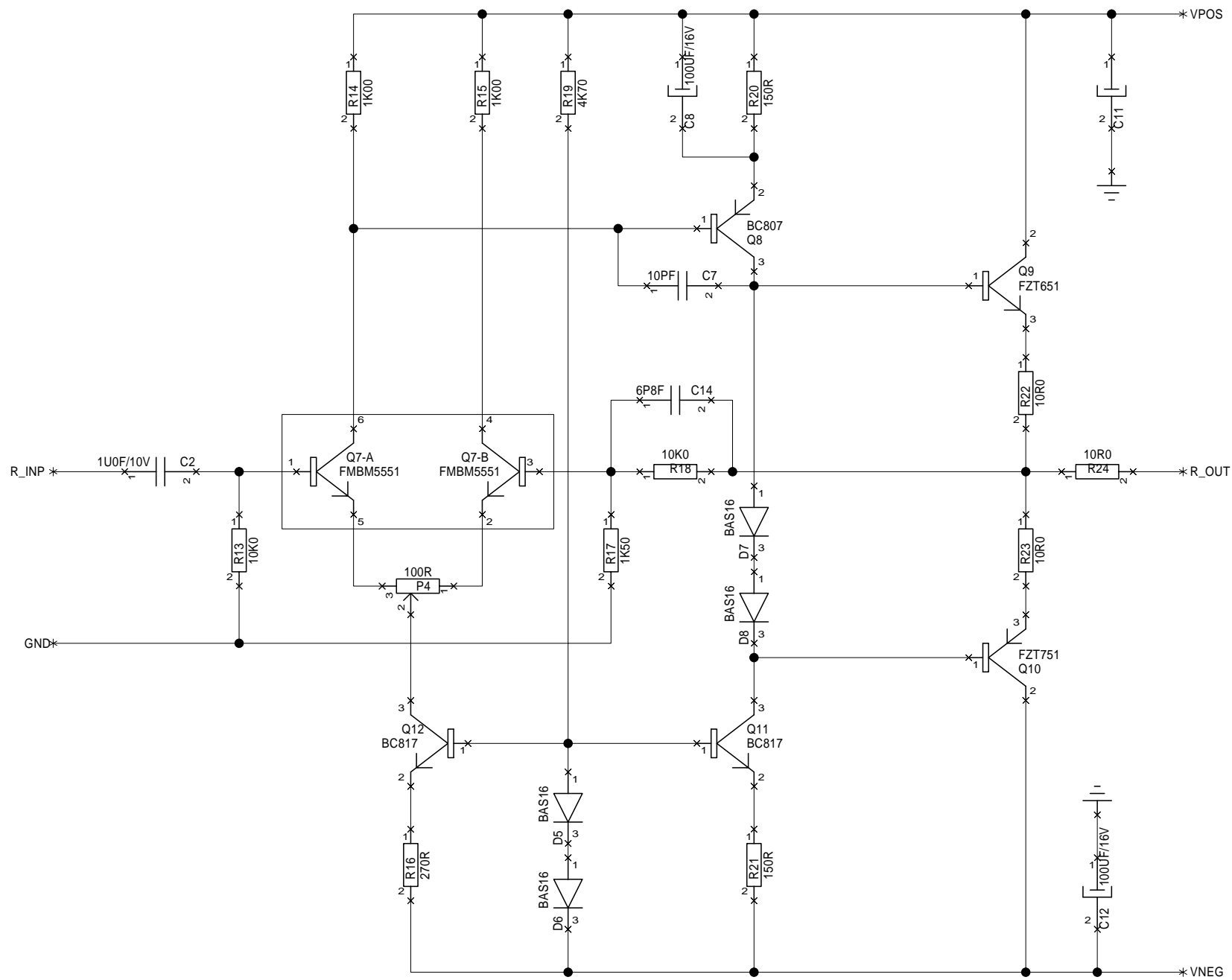


Q1-A_E Q1-B_E

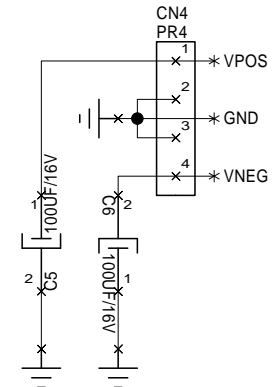
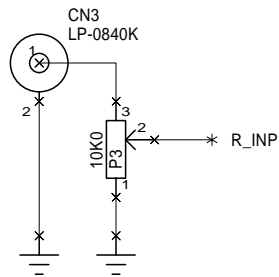
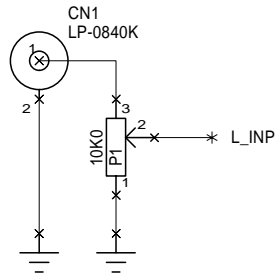
Q6C

DUMMY RESISTORS
FOR SIMULATION ONLY!
NOT TO BE MOUNTED

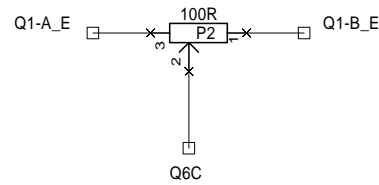
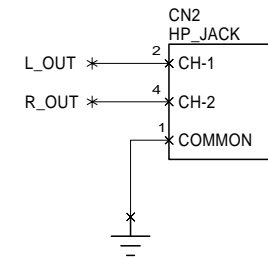
PROJECT:	FYS4260-2015
DRAWING:	HeadsetAmp
DATE:2015_02_25	LEFT-CH
VER: 1.0	UNIVERSITY OF OSLO
SHEET: 2:4	Dept. of Physics
S. Lyng Nielsen	ELAB



PROJECT:	FYS4260-2015
DRAWING:	HeadsetAmp
DATE:2015_02_25	RIGHT-CH
VER: 1.0	UNIVERSITY OF OSLO
SHEET: 3:4	Dept. of Physics
S. Lyng Nielsen	ELAB



BYPASS FOR LEFT-CH



- ⊗ MARK1 TP/FID-MARK-ONYX-TOP
- ⊗ MARK2 TP/FID-MARK-ONYX-TOP
- ⊗ MARK3 TP/FID-MARK-ONYX-TOP
- ⊗ MARK4 TP/FID-MARK-ONYX-BOT
- ⊗ MARK5 TP/FID-MARK-ONYX-BOT
- ⊗ MARK6 TP/FID-MARK-ONYX-BOT
- SH1 ⊗ TP/SH-3.5mm
- SH2 ⊗ TP/SH-3.5mm

PROJECT:	FYS4260-2015
DRAWING:	HeadsetAmp
DATE:2015_02_25	POWER & MEC
VER: 1.0	UNIVERSITY OF OSLO
SHEET: 4:4	Dept. of Physics
S. Lyng Nielsen	ELAB