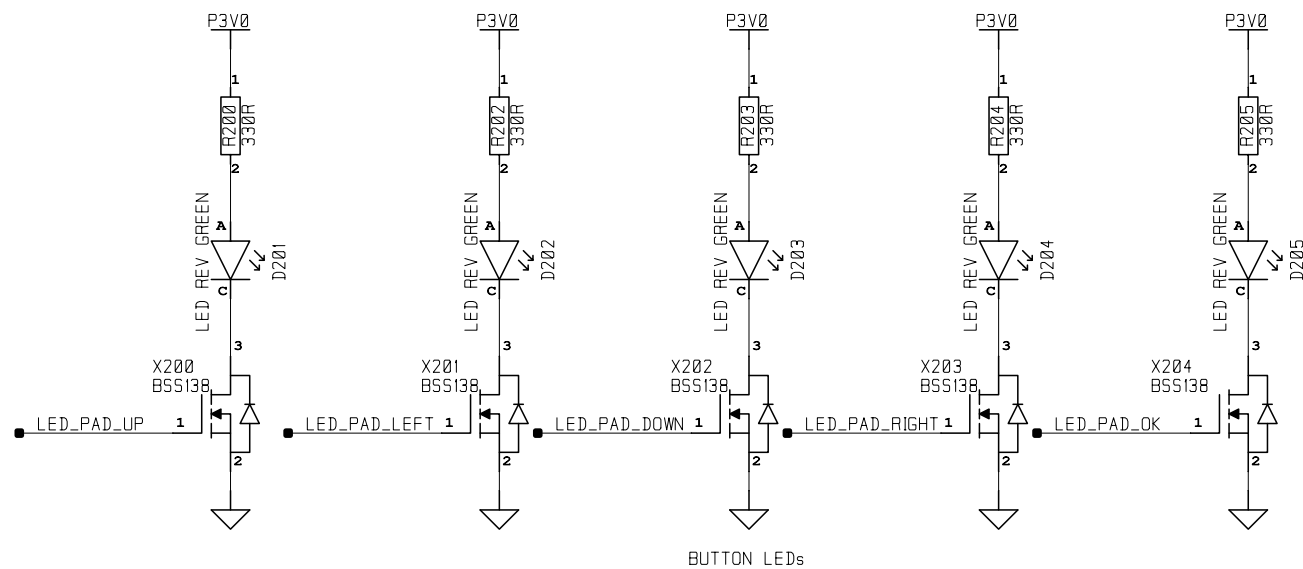
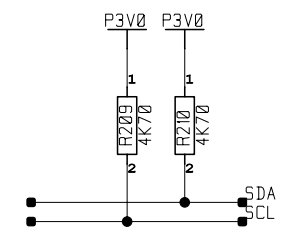
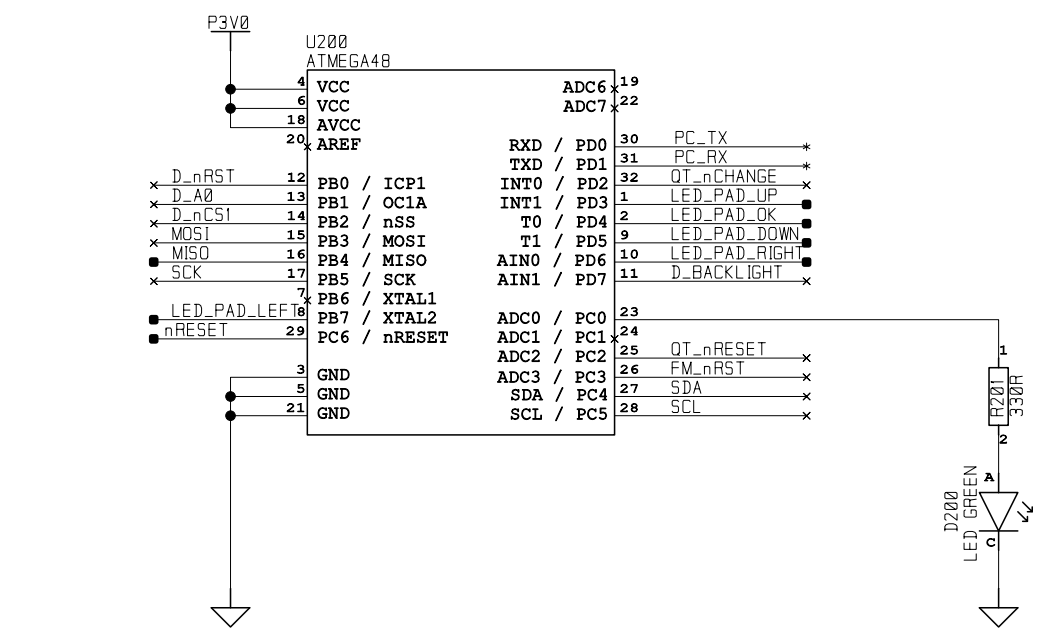
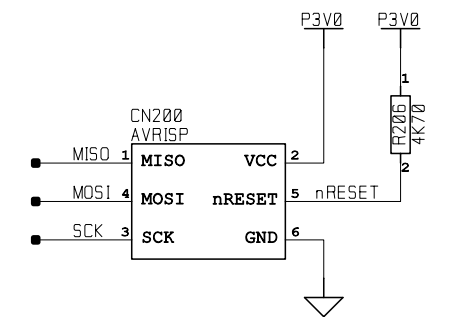


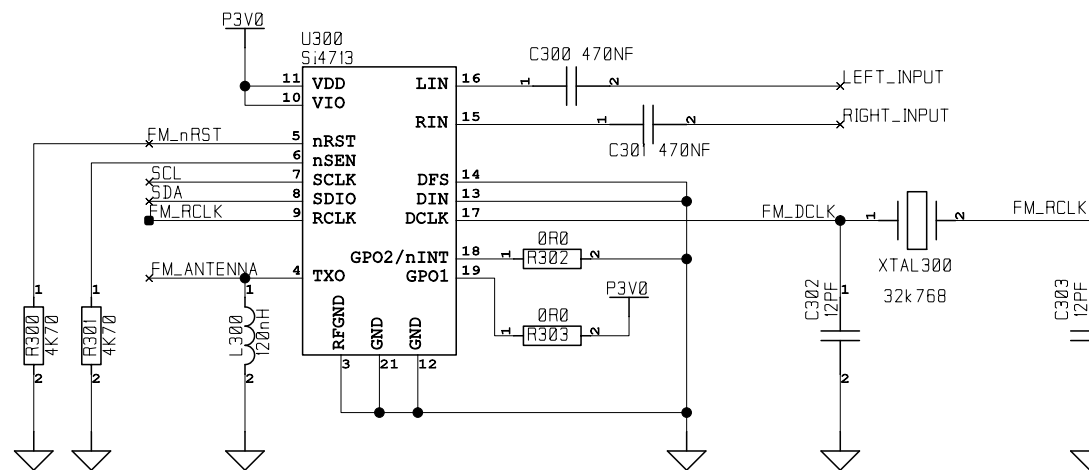
PROJECT:	FM TRANSMITTER v2		
SHEET NAME:	TOP		
DATE:	14.10.2015	ELAB, Dept. of Physics UNIVERSITY OF OSLO	
SHEET:	1 / 6		
USER:			



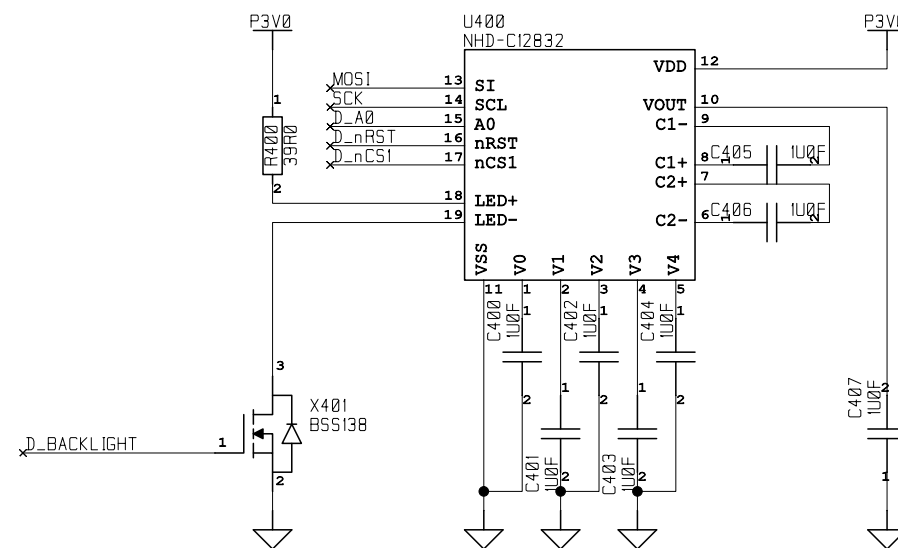
BUTTON LEDs



PROJECT:	FM TRANSMITTER v2
SHEET NAME:	MCU
DATE:	14.10.2015
SHEET:	ELAB. Dept. of Physics
USER:	UNIVERSITY OF OSLO
	2 / 6

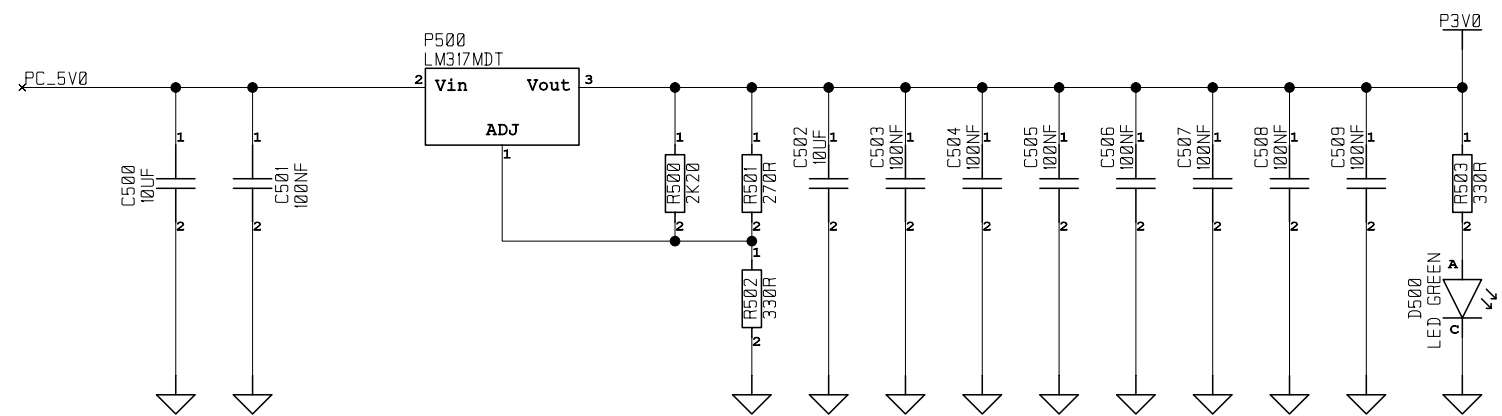


PROJECT:	FM TRANSMITTER v2
SHEET NAME:	FM-TRANSMITTER
DATE:	14.10.2015
SHEET:	ELAB, Dept. of Physics
USER:	3 / 6 UNIVERSITY OF OSLO

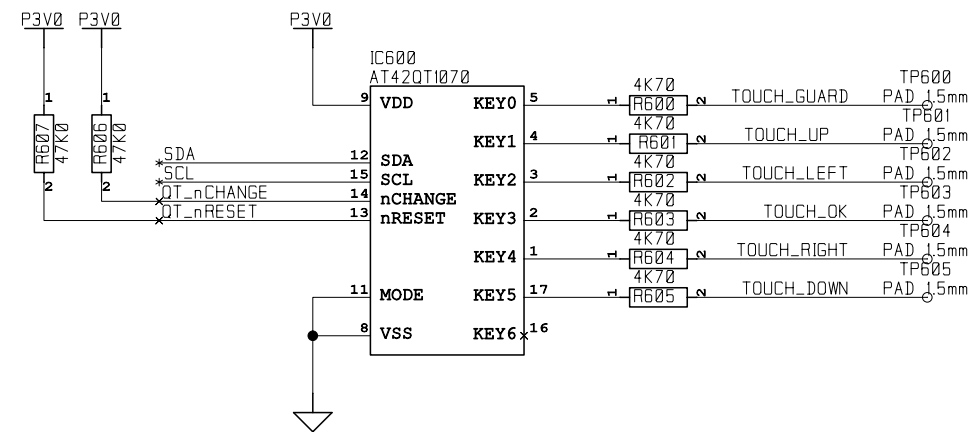


PROJECT:	FM TRANSMITTER v2
SHEET NAME:	DISPLAY
DATE:	14.10.2015
SHEET:	4 / 6
USER:	ELAB, Dept. of Physics UNIVERSITY OF OSLO





PROJECT:	FM TRANSMITTER v2
SHEET NAME:	POWER
DATE:	14.10.2015
SHEET:	
USER:	5 / 6



PROJECT:	FM TRANSMITTER v2
SHEET NAME:	QTOUCH
DATE:	14.10.2015
SHEET:	6 / 6
USER:	
ELAB, Dept. of Physics UNIVERSITY OF OSLO	